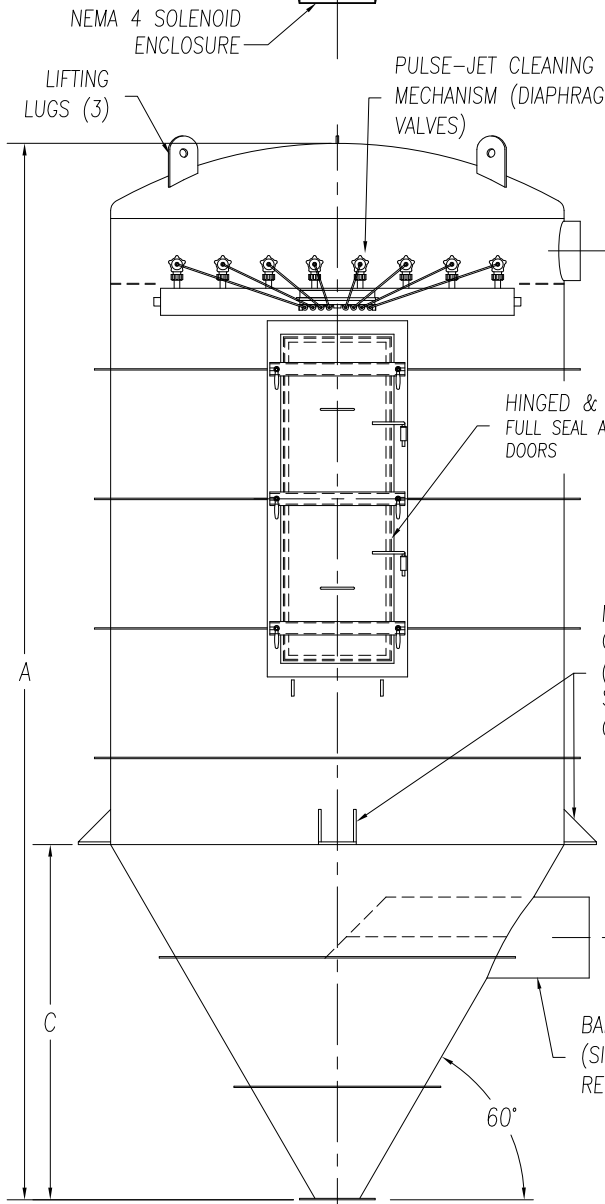
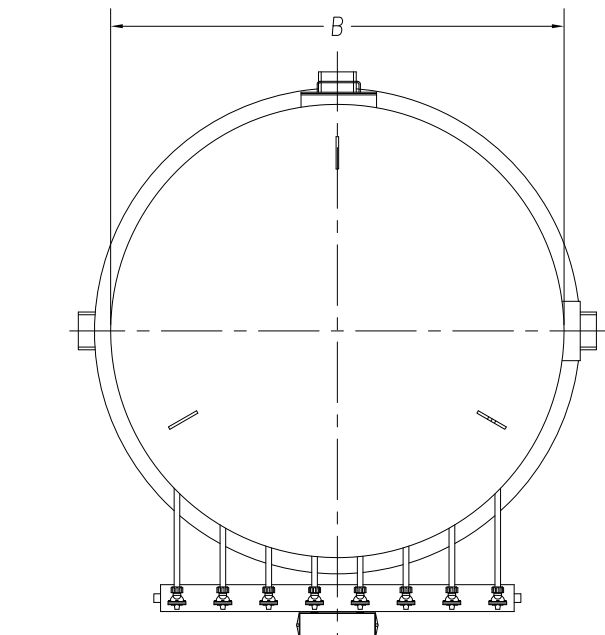


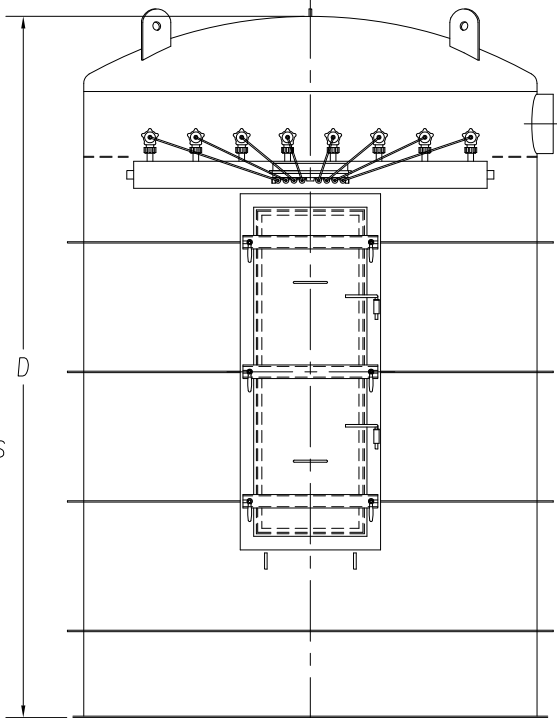
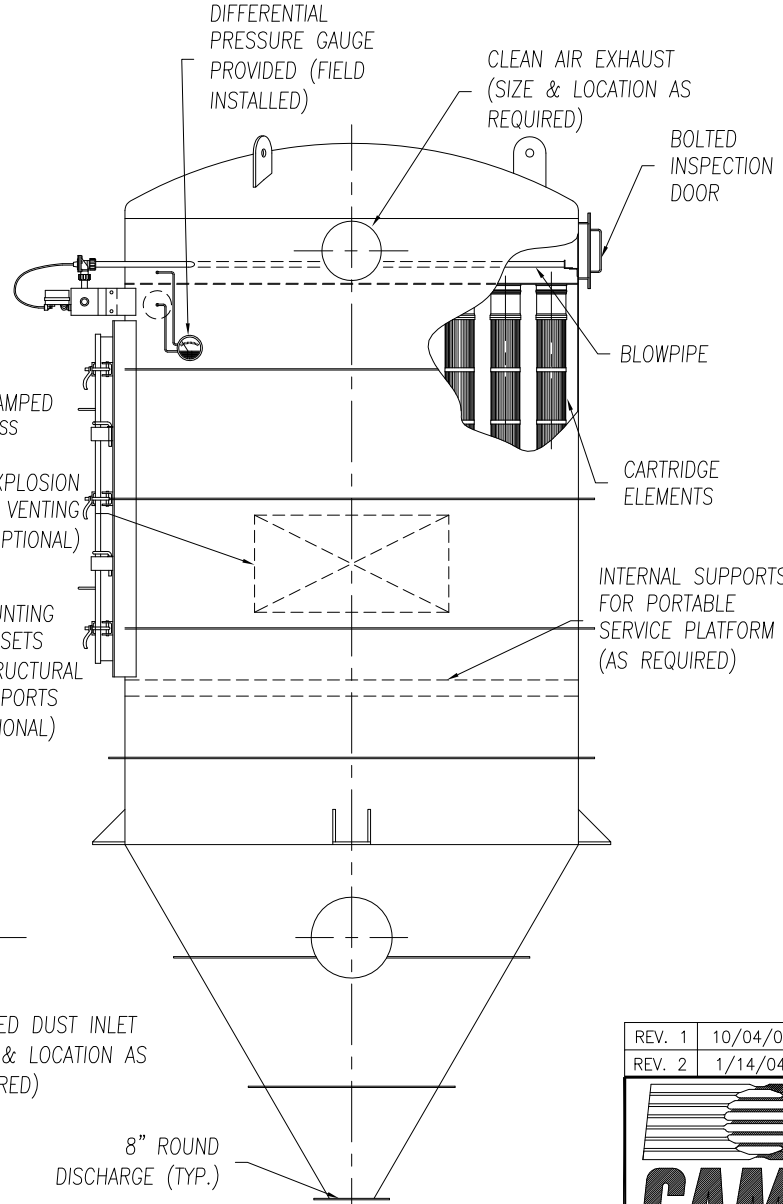
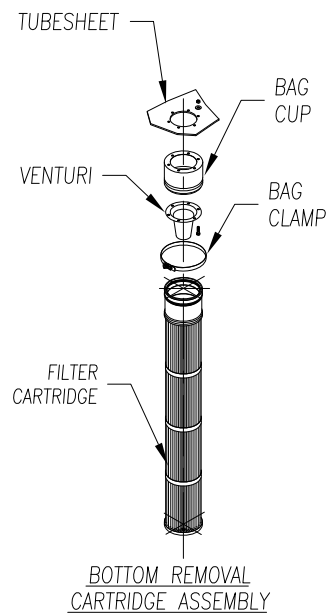
CAMCORP MODELS 45SFPRB4-35P TO 84SFPRB180-45P

MODEL NUMBER	FILTER AREA (SQ. FT.)			QUAN. OF CARTS	CARTRIDGE LENGTH (INCHES)	DIMENSIONS (INCHES)				EST. INSTALLED WT.
	35 PLEATS	45 PLEATS	60 PLEATS			A	B	C	D	
45SFPRB4	88	113	153	4	45	84 1/8	22	13	71 1/8	425
60SFPRB4	124	159	212		60	99 1/8			86 1/8	
45SFPRB7	154	199	269		7	45			90	
60SFPRB7	217	279	371	60		105	87			
45SFPRB10	221	284	384	10		45	98	36	25	73
60SFPRB10	310	399	531		60	113	88			
84SFPRB10	448	569	N/A		84	137	112			
45SFPRB14	309	397	537	14	45	101 1/2	40	28	73 1/2	983
60SFPRB14	434	558	743		60	116 1/2			88 1/2	
84SFPRB14	627	796	N/A		84	140 1/2			112 1/2	
45SFPRB19	420	539	729	19	45	107 3/8	46	33	74 3/8	1249
60SFPRB19	589	758	1009		60	122 3/8			89 3/8	
84SFPRB19	851	1081	N/A		84	146 3/8			113 3/8	
45SFPRB24	530	681	921	24	45	114 1/4	53	39	75 1/4	1673
60SFPRB24	744	957	1274		60	129 1/4			90 1/4	
84SFPRB24	1075	1365	N/A		84	153 1/4			114 1/4	
45SFPRB30	663	852	1152	30	45	117 3/4	56	42	75 3/4	1896
60SFPRB30	930	1197	1593		60	132 3/4			90 3/4	
84SFPRB30	1344	1707	N/A		84	156 3/4			114 3/4	
45SFPRB37	817	1051	1421	37	45	123 1/2	62	47	76 1/2	2214
60SFPRB37	1147	1471	1964		60	138 1/2			91 1/2	
84SFPRB37	1657	2105	N/A		80	162 1/2			115 1/2	
45SFPRB44	972	1249	1689	44	45	129 1/4	68	52	77 1/4	2537
60SFPRB44	1364	1755	2336		60	144 1/4			92 1/4	
84SFPRB44	1971	2503	N/A		80	168 1/4			116 1/4	
45SFPRB52	1149	1476	1997	52	45	135	73	57	78	3453
60SFPRB52	1612	2075	2761		60	150			93	
84SFPRB52	2329	2959	N/A		80	174			117	
45SFPRB61	1348	1732	2342	61	45	141	79	62	79	3914
60SFPRB61	1891	2434	3239		60	156			94	
84SFPRB61	2733	3471	N/A		80	180			118	
45SFPRB70	1547	1988	2688	70	45	148 3/4	87	69	79 3/4	4718
60SFPRB70	2170	2793	3717		60	163 3/4			94 3/4	
84SFPRB70	3136	3983	N/A		80	187 3/4			118 3/4	
45SFPRB80	1768	2272	3072	80	45	152 1/4	90	72	80 1/4	5123
60SFPRB80	2480	3192	4248		60	167 1/4			95 1/4	
84SFPRB80	3584	4552	N/A		80	191 1/4			119 1/4	
45SFPRB91	2011	2584	3494	91	45	166	96	77	89	5894
60SFPRB91	2821	3631	4833		60	181			104	
84SFPRB91	4077	5178	N/A		80	205			128	
45SFPRB102	2254	2897	3917	102	45	174	104	84	86	6666
60SFPRB102	3162	4070	5416		60	189			105	
84SFPRB102	4569	5804	N/A		80	213			129	



- STANDARD FEATURES**
1. ALL WELDED HEAVY-DUTY CONSTRUCTION
 2. VACUUM RATING: 17" HG
 3. STANDARD MATERIALS OF CONSTRUCTION: CARBON STEEL, STAINLESS STEEL, ALUMINUM
 4. STANDARD ELECTRICALS: NEMA 4 TIMER AND SOLENOID ENCLOSURES
 5. PAINT: STANDARD IS WHITE OR ENVIROGREEN INDUSTRIAL ENAMEL

- OPTIONAL FEATURES**
1. STRUCTURAL SUPPORTS
 2. SERVICE PLATFORMS
 3. EXPLOSION VENTING
 4. EXPLOSION-PROOF ELECTRICALS
 5. HIGHER PRESSURE/VACUUM RATING
 6. BIN VENT STYLE
 7. WIDE CARTRIDGE SPACING



BOTTOM REMOVAL CARTRIDGE PNEUMATIC RECEIVER (4 TO 102 CARTRIDGES)

REV. 1	10/04/01	ADDED BIN VENT, CHG'D. TITLE
REV. 2	1/14/04	CHG'D FILTER AREA SQ. FT.

CAMCORP
 9732 PFLUMM, LENEXA, KS 66215 PHONE: 913-831-0740 • FAX: 913-831-9271

TITLE: BOTTOM REMOVAL CARTRIDGE PNEUMATIC RECEIVER
 MODEL 45SFPRB4 TO 84SFPRB102 (4 TO 102 CARTRIDGE)

DATE:	DRN BY:	DWG. NO.:	P.S.:	REV.:
8-10-99	DES	CAT-SFPRB1r02	36-00	#1