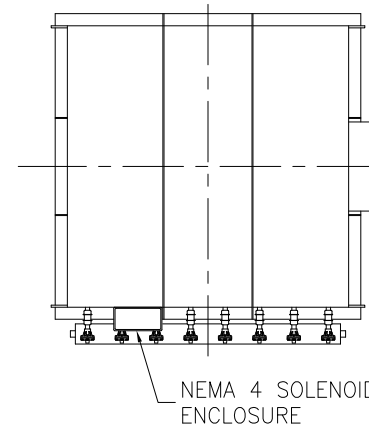


CAMCORP MODELS 8SFWI45X64-35P TO 16SFWI84X256-45P

MODEL NUMBER	FILTER AREA (SQ. FT.)			QUAN. OF CARTS	CARTRIDGE LENGTH (INCHES)	DIMENSIONS (INCHES)					EST. INSTALLED WT.
	35 PLEATS	45 PLEATS	60 PLEATS			A	B	C	D	E	
14SFWI45X196	3604	4626	6174	196	45	252 1/2	122 1/2	122 1/2	99 1/2	84	8859
14SFWI60X196	5047	6488	8644		60	267 1/2					9361
14SFWI84X196	7209	9271	N/A		80	291 1/2					10047
14SFWI45X210	3862	4956	6615	210	45	260	122 1/2	131	107	84	9340
14SFWI60X210	5408	6951	9261		60	275					9864
14SFWI84X210	7724	9933	N/A		80	299					10577
15SFWI45X225	4138	5310	7088	225	45	260	131	131	107	84	9832
15SFWI60X225	5794	7448	9923		60	275					10380
15SFWI84X225	8276	10643	N/A		80	299					11121
15SFWI45X240	4414	5664	7560	240	45	267	131	139 1/2	114	84	10358
15SFWI60X240	6180	7944	10584		60	282					10929
15SFWI84X240	8827	11352	N/A		80	306					11698
16SFWI45X256	4708	6042	8064	256	45	267	139 1/2	139 1/2	114	84	10861
16SFWI60X256	6592	8474	11290		60	282					11456
16SFWI84X256	9416	12109	N/A		80	306					12254

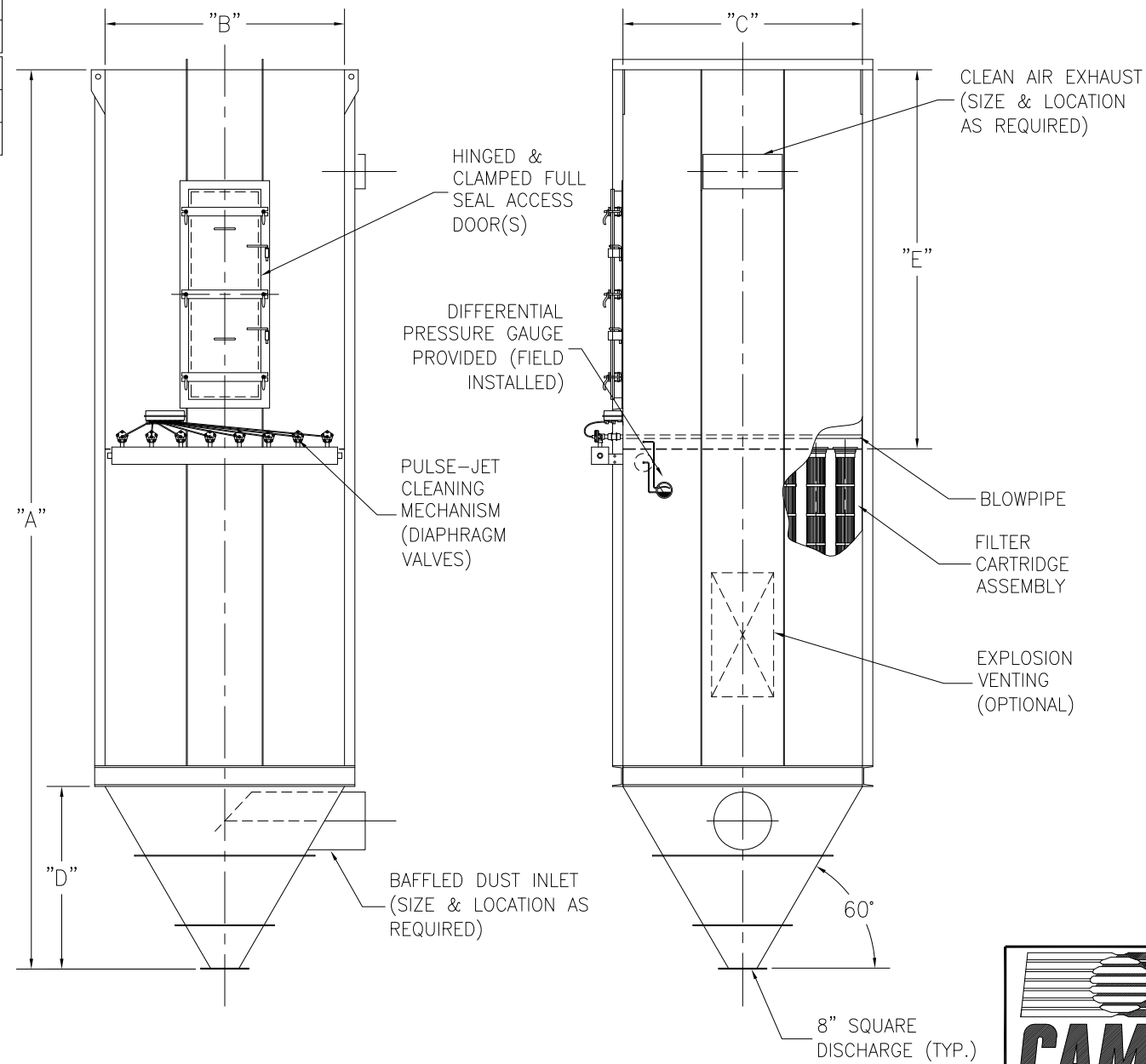
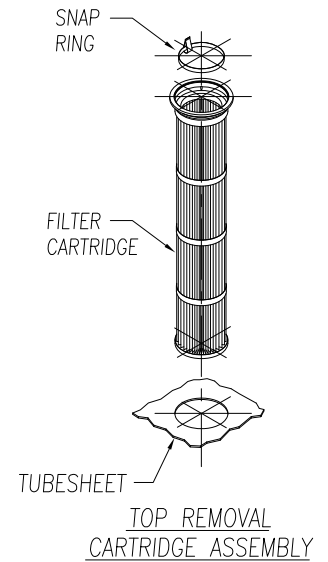


STANDARD FEATURES

1. ALL WELDED HEAVY-DUTY CONSTRUCTION
2. PRESSURE/VACUUM RATING: +/-20"W.C.
3. STANDARD MATERIALS OF CONSTRUCTION: CARBON STEEL, STAINLESS STEEL, ALUMINUM
4. STANDARD ELECTRICALS: NEMA 4 TIMER AND SOLENOID ENCLOSURES
5. PAINT: STANDARD IS WHITE OR ENVIROGREEN INDUSTRIAL ENAMEL

OPTIONAL FEATURES

1. STRUCTURAL SUPPORTS
2. SERVICE PLATFORMS
3. EXPLOSION VENTING
4. EXPLOSION-PROOF ELECTRICALS
5. HIGHER PRESSURE/VACUUM RATING
6. WIDE CARTRIDGE SPACING



WALK-IN CARTRIDGE REMOVAL DUST COLLECTOR (196 TO 256 CARTRIDGES)

9732 PFLUMM, LENEXA, KS. 66215 PHONE: 913-831-0740 FAX: 913-831-9271

TITLE: WALK-IN TOP REMOVAL CARTRIDGE DUST COLLECTORS MODELS 14SFWI45X196-35P TO 16SFWI84X256-45P

DATE: 11/01/01	DRN BY: DOTY	DWG. NO.: CAT-WICA-2	P.S.: 48-00	REV.:
----------------	--------------	----------------------	-------------	-------