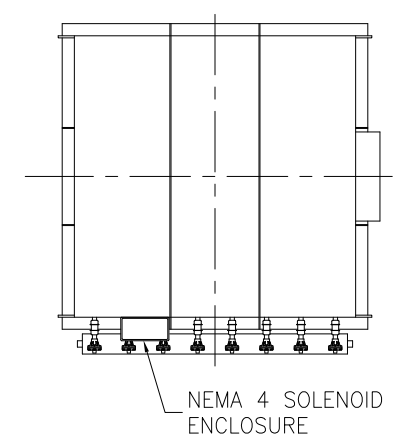


| CAMCORP MODELS 8SFWI45X64-35P TO 16SFWI84X256-45P |                       |           |           |                |                           |                     |         |         |        |    |                    |
|---|-----------------------|-----------|-----------|----------------|---------------------------|---------------------|---------|---------|--------|----|--------------------|
| MODEL NUMBER                                      | FILTER AREA (SQ. FT.) |           |           | QUAN. OF CARTS | CARTRIDGE LENGTH (INCHES) | DIMENSIONS (INCHES) |         |         |        |    | EST. INSTALLED WT. |
|   | 35 PLEATS             | 45 PLEATS | 60 PLEATS |                |                           | A                   | B       | C       | D      | E  |                    |
| 8SFWI45X64  | 1177                  | 1510      | 2016      | 64             | 45                        | 198                 | 71 1/2  | 71 1/2  | 55     | 84 | 3180               |
| 8SFWI60X64  | 1648                  | 2118      | 2822      |                | 60                        | 213                 |         |         |        |    | 3411               |
| 8SFWI84X64  | 2354                  | 3027      | N/A       |                | 80                        | 237                 |         |         |        |    | 3741               |
| 8SFWI45X72  | 1324                  | 1699      | 2268      | 72             | 45                        | 205 1/2             | 71 1/2  | 80      | 62 1/2 | 84 | 4022               |
| 8SFWI60X72  | 1854                  | 2383      | 3175      |                | 60                        | 220 1/2             |         |         |        |    | 4282               |
| 8SFWI84X72  | 2648                  | 3406      | N/A       |                | 80                        | 244 1/2             |         |         |        |    | 4644               |
| 8SFWI45X80  | 1471                  | 1888      | 2520      | 80             | 45                        | 213                 | 71 1/2  | 88 1/2  | 70     | 84 | 4324               |
| 8SFWI60X80  | 2060                  | 2648      | 3528      |                | 60                        | 228                 |         |         |        |    | 4593               |
| 8SFWI84X80  | 2942                  | 3784      | N/A       |                | 80                        | 252                 |         |         |        |    | 4876               |
| 9SFWI45X81  | 1490                  | 1912      | 2552      | 81             | 45                        | 215 1/2             | 80      | 80      | 62 1/2 | 84 | 4516               |
| 9SFWI60X81  | 2086                  | 2681      | 3572      |                | 60                        | 230 1/2             |         |         |        |    | 4793               |
| 9SFWI84X81  | 2979                  | 3831      | N/A       |                | 80                        | 254 1/2             |         |         |        |    | 5188               |
| 9SFWI45X90  | 1655                  | 2124      | 2835      | 90             | 45                        | 223                 | 80      | 88 1/2  | 70     | 84 | 4831               |
| 9SFWI60X90  | 2318                  | 2979      | 3969      |                | 60                        | 238                 |         |         |        |    | 5130               |
| 9SFWI84X90  | 3310                  | 4257      | N/A       |                | 80                        | 262                 |         |         |        |    | 6547               |
| 9SFWI45X99  | 1821                  | 2336      | 3119      | 99             | 45                        | 230 1/2             | 80      | 97      | 77 1/2 | 84 | 5261               |
| 9SFWI60X99  | 2549                  | 3277      | 4366      |                | 60                        | 245 1/2             |         |         |        |    | 5579               |
| 9SFWI84X99  | 3641                  | 4683      | N/A       |                | 80                        | 269 1/2             |         |         |        |    | 6030               |
| 10SFWI45X100                                      | 1839                  | 2360      | 3150      | 100            | 45                        | 223                 | 88 1/2  | 88 1/2  | 70     | 84 | 5159               |
| 10SFWI60X100                                      | 2575                  | 3310      | 4410      |                | 60                        | 238                 |         |         |        |    | 5472               |
| 10SFWI84X100                                      | 3678                  | 4730      | N/A       |                | 80                        | 262                 |         |         |        |    | 5912               |
| 10SFWI45X110                                      | 2023                  | 2596      | 3465      | 110            | 45                        | 230 1/2             | 88 1/2  | 97      | 77 1/2 | 84 | 5606               |
| 10SFWI60X110                                      | 2833                  | 3641      | 4851      |                | 60                        | 245 1/2             |         |         |        |    | 5944               |
| 10SFWI84X110                                      | 4046                  | 5203      | N/A       |                | 80                        | 269 1/2             |         |         |        |    | 6418               |
| 10SFWI45X120                                      | 2207                  | 2832      | 3780      | 120            | 45                        | 237 1/2             | 88 1/2  | 105 1/2 | 84 1/2 | 84 | 5997               |
| 10SFWI60X120                                      | 3090                  | 3972      | 5292      |                | 60                        | 252 1/2             |         |         |        |    | 6353               |
| 10SFWI84X120                                      | 4414                  | 5676      | N/A       |                | 80                        | 276 1/2             |         |         |        |    | 6851               |
| 11FWI45X121                                       | 2225                  | 2856      | 3812      | 121            | 45                        | 230 1/2             | 97      | 97      | 77 1/2 | 84 | 6026               |
| 11SFWI60X121                                      | 3116                  | 4005      | 5336      |                | 60                        | 245 1/2             |         |         |        |    | 6390               |
| 11SFWI84X121                                      | 4450                  | 5723      | N/A       |                | 80                        | 269 1/2             |         |         |        |    | 6899               |
| 11SFWI45X132                                      | 2427                  | 3115      | 4158      | 132            | 45                        | 237 1/2             | 97      | 105 1/2 | 84 1/2 | 84 | 6436               |
| 11SFWI60X132                                      | 3399                  | 4369      | 5821      |                | 60                        | 252 1/2             |         |         |        |    | 6819               |
| 11SFWI84X132                                      | 4855                  | 6244      | N/A       |                | 80                        | 276 1/2             |         |         |        |    | 7353               |
| 12SFWI45X144                                      | 2648                  | 3398      | 4536      | 144            | 45                        | 237 1/2             | 105 1/2 | 105 1/2 | 84 1/2 | 84 | 6821               |
| 12SFWI60X144                                      | 3708                  | 4766      | 6350      |                | 60                        | 252 1/2             |         |         |        |    | 7224               |
| 12SFWI84X144                                      | 5296                  | 6811      | N/A       |                | 80                        | 276 1/2             |         |         |        |    | 7783               |
| 12SFWI45X156                                      | 2869                  | 3682      | 4914      | 156            | 45                        | 245                 | 105 1/2 | 114     | 92     | 84 | 7492               |
| 12SFWI60X156                                      | 4017                  | 5164      | 6880      |                | 60                        | 260                 |         |         |        |    | 7914               |
| 12SFWI84X156                                      | 5738                  | 7379      | N/A       |                | 80                        | 284                 |         |         |        |    | 8499               |
| 13SFWI45X169                                      | 3108                  | 3988      | 5324      | 169            | 45                        | 245                 | 114     | 114     | 92     | 84 | 7846               |
| 13SFWI60X169                                      | 4352                  | 5594      | 7453      |                | 60                        | 260                 |         |         |        |    | 8291               |
| 13SFWI84X169                                      | 6216                  | 7994      | N/A       |                | 80                        | 284                 |         |         |        |    | 8902               |
| 13SFWI45X182                                      | 3347                  | 4295      | 5733      | 182            | 45                        | 252 1/2             | 114     | 122 1/2 | 99 1/2 | 84 | 8399               |
| 13SFWI60X182                                      | 4687                  | 6024      | 8026      |                | 60                        | 267 1/2             |         |         |        |    | 8872               |
| 13SFWI84X182                                      | 6694                  | 8609      | N/A       |                | 80                        | 291 1/2             |         |         |        |    | 9519               |

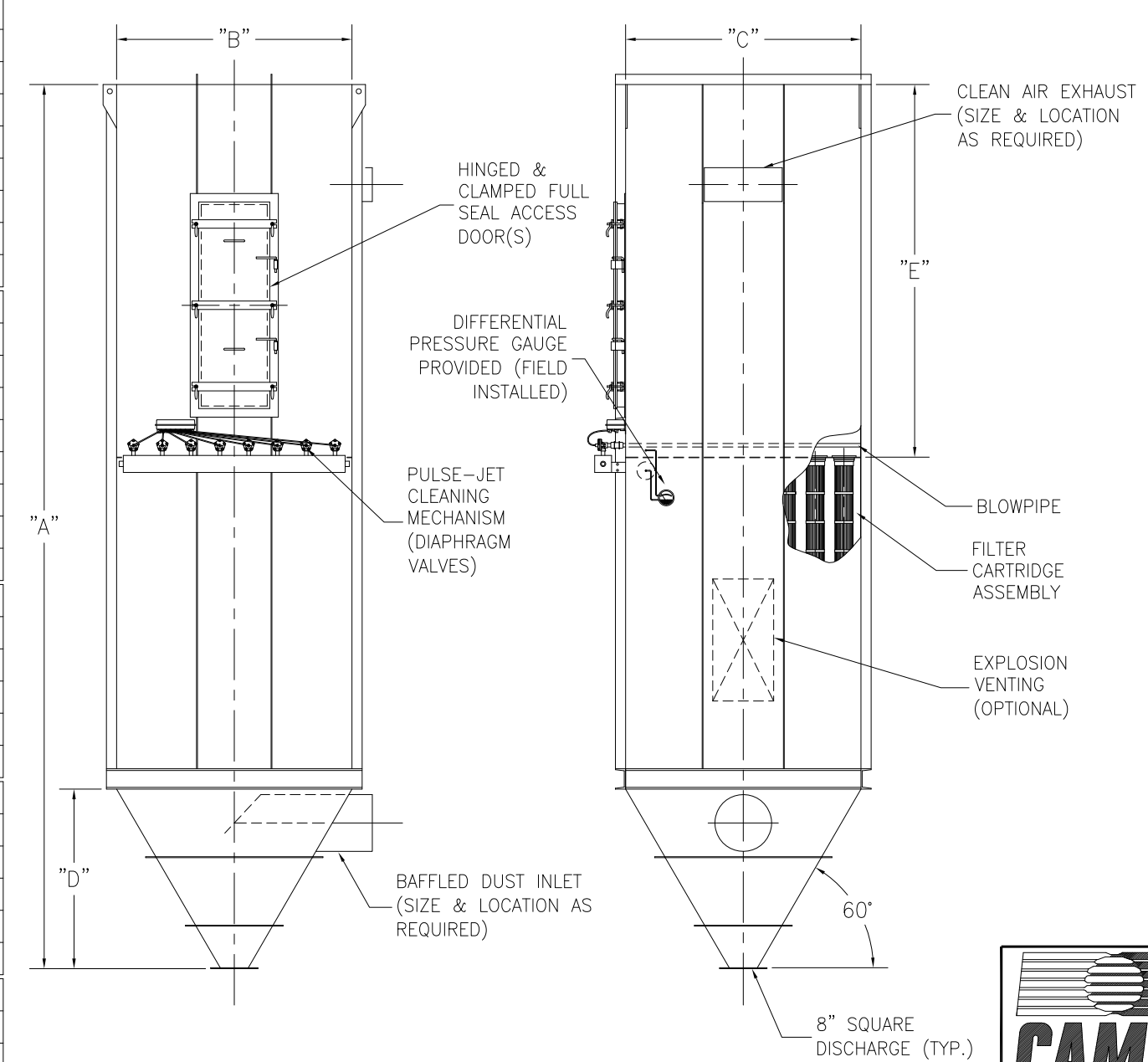
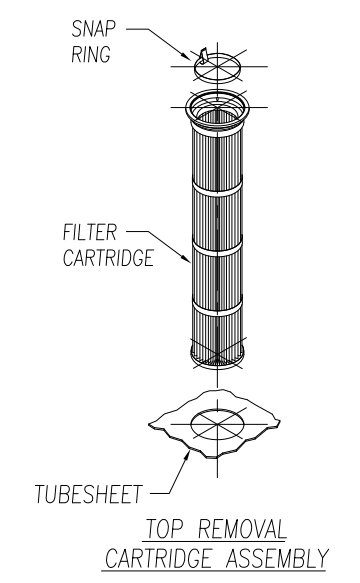


STANDARD FEATURES

1. ALL WELDED HEAVY-DUTY CONSTRUCTION
2. PRESSURE/VACUUM RATING: +/-20"W.C.
3. STANDARD MATERIALS OF CONSTRUCTION: CARBON STEEL, STAINLESS STEEL, ALUMINUM
4. STANDARD ELECTRICALS: NEMA 4 TIMER AND SOLENOID ENCLOSURES
5. PAINT: STANDARD IS WHITE OR ENVIROGREEN INDUSTRIAL ENAMEL

OPTIONAL FEATURES

1. STRUCTURAL SUPPORTS
2. SERVICE PLATFORMS
3. EXPLOSION VENTING
4. EXPLOSION-PROOF ELECTRICALS
5. HIGHER PRESSURE/VACUUM RATING
6. WIDE CARTRIDGE SPACING



WALK-IN CARTRIDGE REMOVAL DUST COLLECTOR ( 64 TO 182 CARTRIDGES )

9732 PFLUMM, LENEXA, KS. 66215 PHONE: 913-831-0740 FAX: 913-831-9271

TITLE: WALK-IN TOP REMOVAL CARTRIDGE DUST COLLECTORS MODELS 8SFWI45X64-35P TO 13SFWI84X182-45P

|                |              |                      |             |       |
|----------------|--------------|----------------------|-------------|-------|
| DATE: 11/01/01 | DRN BY: DOTY | DWG. NO.: CAT-WICA-1 | P.S.: 48-00 | REV.: |
|----------------|--------------|----------------------|-------------|-------|